

DESCRIPTION

AMC MODEL SWN-218-2DT-IND-SP OPTION: 03107, HI70, GP IS AN ABSORPTIVE SINGLE POLE TWO THROW SWITCH DESIGNED TO OPERATE OVER 0.3 - 1.7 GHz FREQUENCY RANGE WITH LOW INSERTION LOSS AND HIGH ISOLATION.

SPECIFICATIONS

- FREQUENCY RANGE: 0.3 TO 1.7 GHz
- INSERTION LOSS: 1.5 dB MAXIMUM
- ISOLATION: 70 dB MINIMUM
- VSWR: 2.0:1
- RISE TIME: 1.0 μ SEC MAXIMUM
- FALL TIME: 1.0 μ SEC MAXIMUM
- POWER INPUT: +10 dBM CW MAXIMUM
- CONTROL: TTL LOGIC "0" = J1-J2 ON
- POWER SUPPLY: +5V
-5V
- CONNECTORS:
RF: SMA FEMALE
CONTROL: SOLDER PIN
- SIZE: 1.20" (L) x 1.00" (W) x 0.50" (H)
- WEIGHT: 1.5 OUNCE TYPICAL

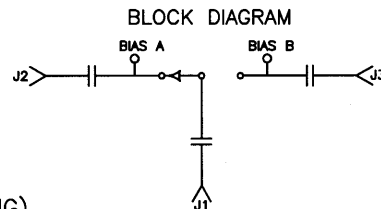
OPTIONS:

- 03107 OPTIMIZED FOR 0.3 TO 1.7 GHz
- HI70 HIGH ISOLATION OF 70 dB
- GP SPECIAL FOR YOUR SPECIFICATIONS

ENVIRONMENTAL RATINGS:

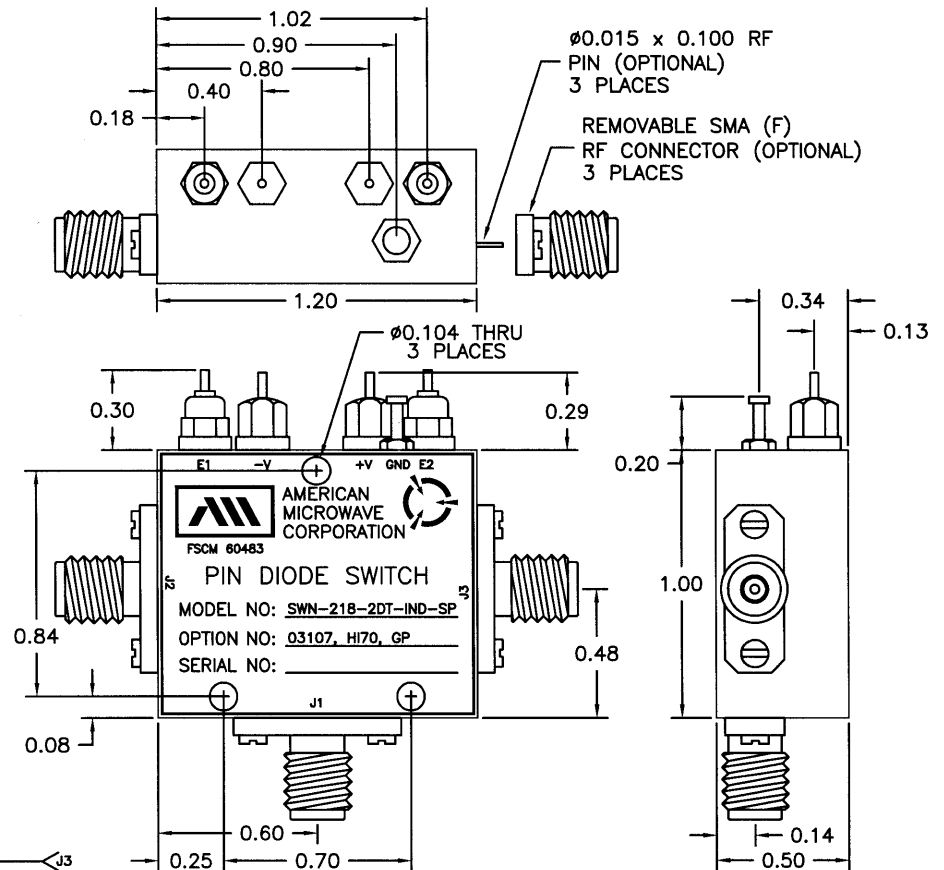
- TEMPERATURE: -55°C TO +85°C (OPERATING)
-65°C TO +125°C (STORAGE)
- HUMIDITY: MIL-STD-202F, METHOD 103B COND. B
- SHOCK: MIL-STD-202F, METHOD 213B COND. B
- VIBRATION: MIL-STD-202F, METHOD 204D COND. B
- ALTITUDE: MIL-STD-202F, METHOD 105C COND. B
- TEMPERATURE CYCLE: MIL-STD-202F, METHOD 107D COND. A

NOTE: SPECIFICATIONS WILL VARY OVER OPERATING TEMPERATURE
NOTE: THE ABOVE SPECIFICATIONS ARE SUBJECT TO CHANGE OR REVISION



ALL DIMENSIONS ARE IN INCHES
TOLERANCES:
X.XX ±0.020
X.XXX ±0.010

REVISIONS				
ZONE	REV.	DESCRIPTION	DATE	APPROVED
		- ORIGINAL RELEASE JOB# 503077-1	05/18/05	



AMERICAN MICROWAVE CORPORATION

7311-G GROVE ROAD
FREDERICK, MARYLAND 21704 USA
TEL: 301-662-4700 FAX: 301-662-4938
WEBSITE: www.americanmicrowavecorp.com
E-MAIL: sales@americanmicrowavecorp.com
ISO 9001:2000 CERTIFIED

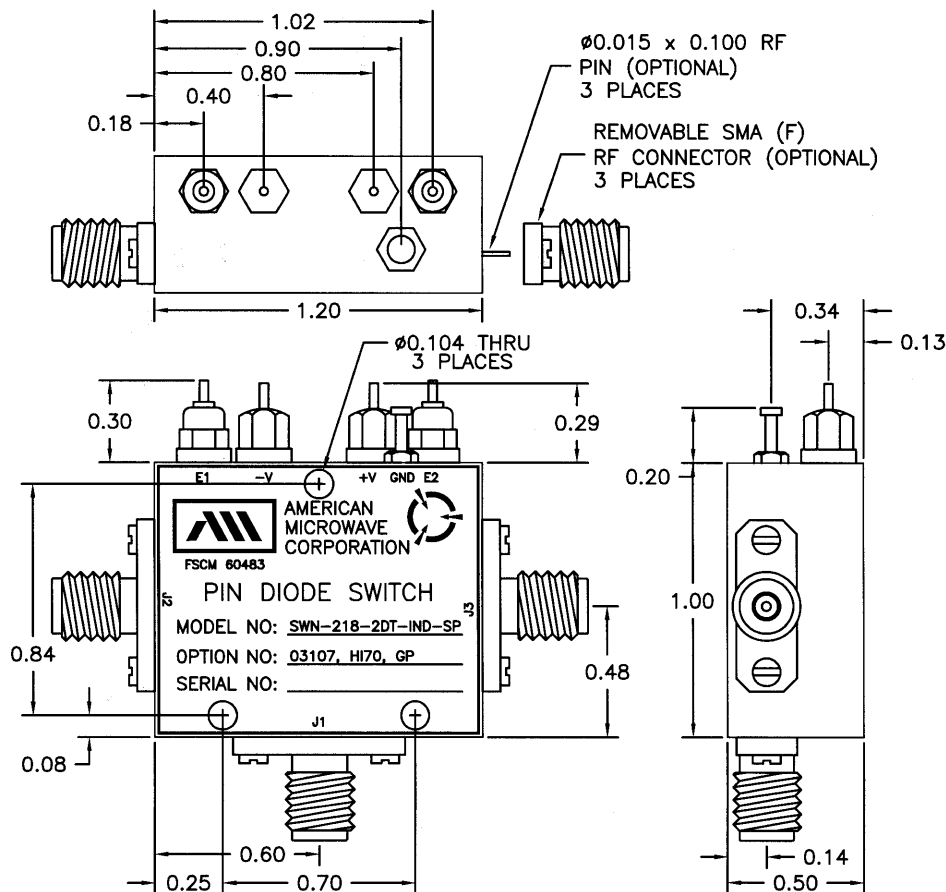


APPROVALS		DATE	TITLE			REV.
DRAWN <i>WJCS</i>		05/18/05	PRODUCT FEATURE SWN-218-2DT-IND-SP OPTION: 03107, HI70, GP 0.3 - 1.7 GHz PIN DIODE SWITCH			-
CHECKED			SIZE A	FSCM NO. 60483	DWG NO. 100-7386	
ISSUED			SCALE N:S		SHEET 1 OF 3	

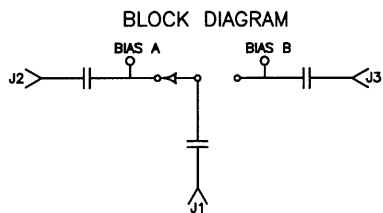
DESCRIPTION

AMC MODEL SWN-218-2DT-IND-SP OPTION: 03107, HI70, GP IS AN ABSORPTIVE SINGLE POLE TWO THROW SWITCH DESIGNED TO OPERATE OVER 0.3 - 1.7 GHz FREQUENCY RANGE WITH LOW INSERTION LOSS AND HIGH ISOLATION.

REVISIONS				
ZONE	REV.	DESCRIPTION	DATE	APPROVED
	-	ORIGINAL RELEASE JOB# 503077-1	05/18/05	



MECHANICAL OUTLINE



ALL DIMENSIONS ARE IN INCHES
TOLERANCES:
X.XX ±0.020
X.XXX ±0.010

AMERICAN MICROWAVE CORPORATION

7311-G GROVE ROAD
FREDERICK, MARYLAND 21704 USA
TEL: 301-662-4700 FAX: 301-662-4938
WEBSITE: www.americanmicrowavecorp.com
E-MAIL: sales@americanmicrowavecorp.com
ISO 9001:2000 CERTIFIED



APPROVALS		DATE	TITLE		
DRAWN	<i>W3CJ</i>	05/18/05	MECHANICAL OUTLINE SWN-218-2DT-IND-SP OPTION: 03107, HI70, GP 0.3 - 1.7 GHz PIN DIODE SWITCH		
CHECKED			SIZE	FSCM NO.	DWG NO.
ISSUED			A	60483	100-7386
			SCALE	N:S	SHEET 2 OF 3